

# SERVICE BULLETIN

**DATE:** Sept. 14, 2011, revised Jan. 30, 2013

**BULLETIN NUMBER:**

263

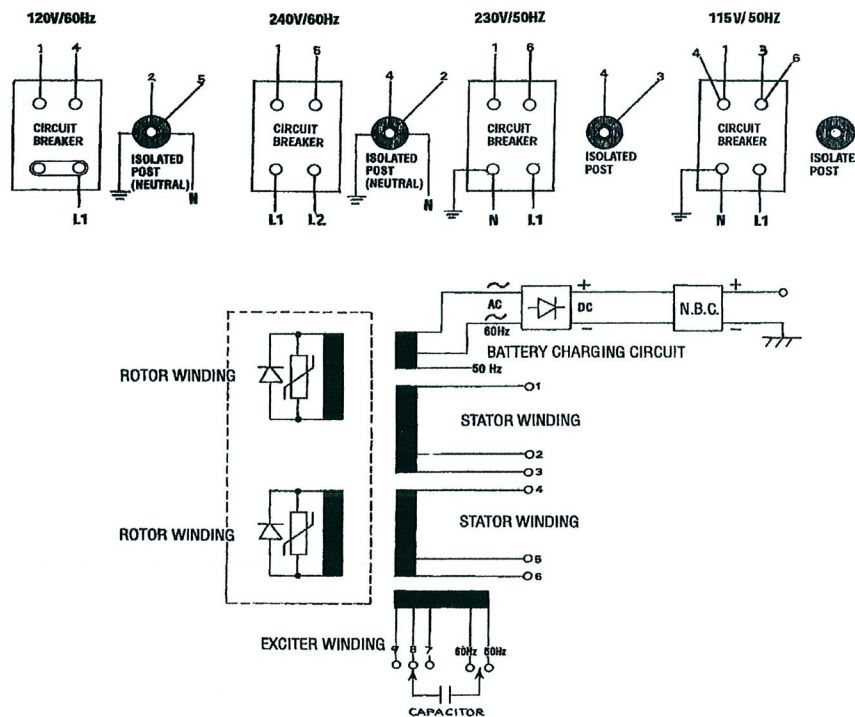
**SUBJECT:** Capacitor change required when converting between 50 and 60 Hertz (HZ).

**MODELS AFFECTED:** 4.2/5.0 and 5.4/6.5 SBCG (Low-CO) and 5.0/4.2 BCG and 5.8/7.0 BCGD (carbureted)

**DETAIL:** 4.2/5.0 and 5.4/6.5 SBCG products built after manufacturing date code E802 (February 2008) are field convertible between 50 and 60 HZ. All 4.2/5.0 BCG and 5.8/7.0 BCGD are convertible. Depending on the HZ after manufacturing date code "JK" (November 2010), the capacitors **MUST** be changed during conversion to insure proper voltage output.

For the 5.0 BCG / SBCG models the standard capacitors are 25MF, PN 46875. For 50HZ applications use 31.5 MF PN 46978. For the 7.0 BCGD and 6.5 SBCG models the standard capacitors are 35 MF PN 49627. For 50HZ applications use 40 MF PN 46639.

Please follow the conversion guidelines found in the respective Operator's Manual making sure to change the output wiring and engine speed accordingly. Mixing capacitor sizes and voltage adjustment tap position is not recommended.



Note: Labor and material associated with conversion are the responsibility of Owner/Operator.

